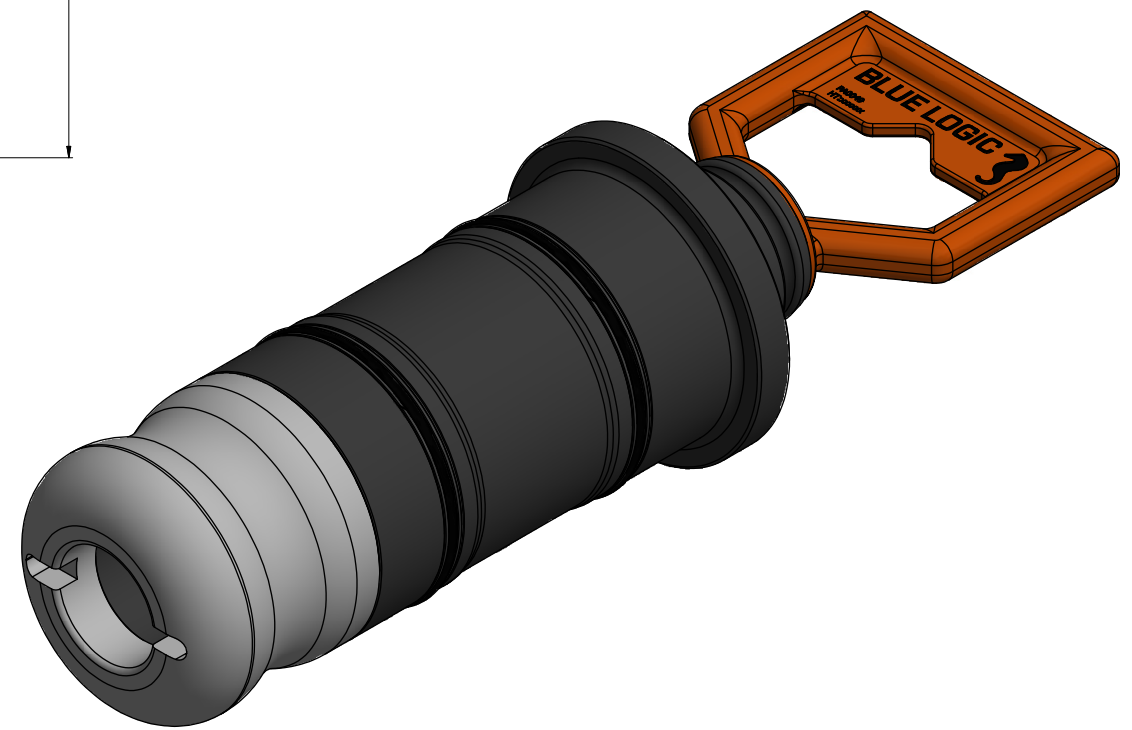
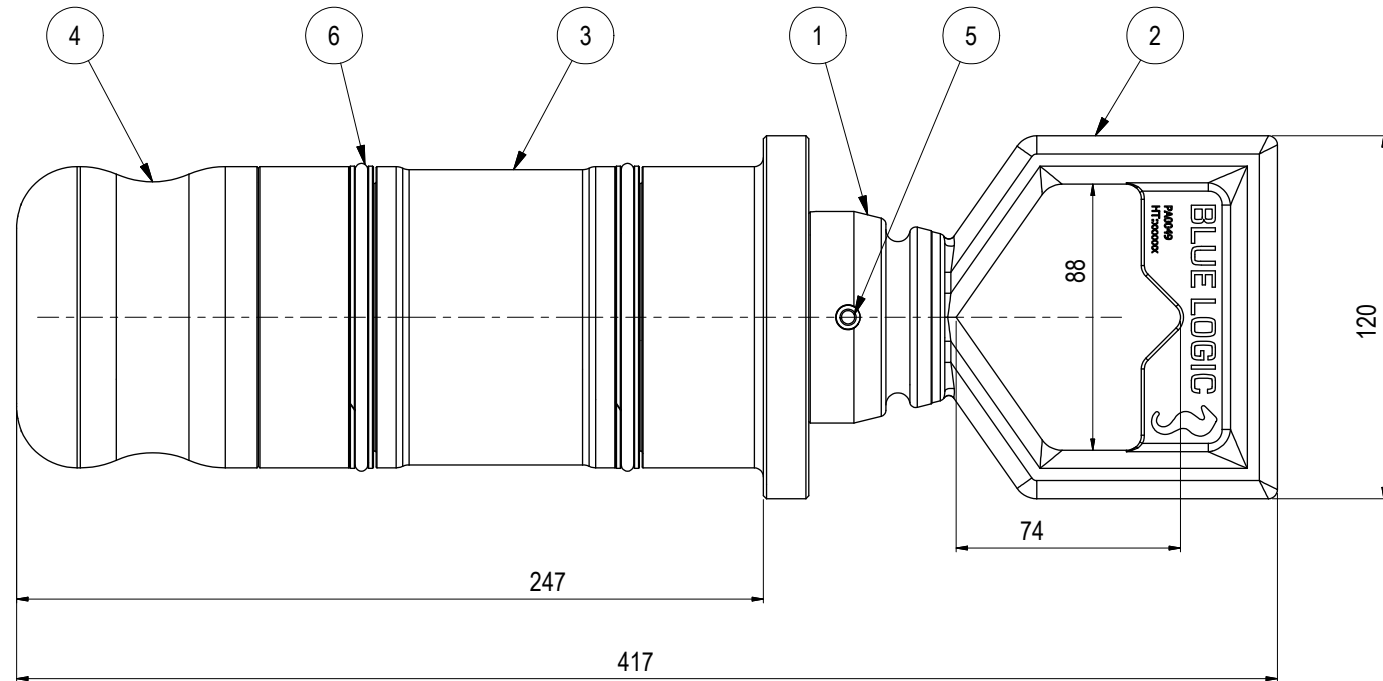
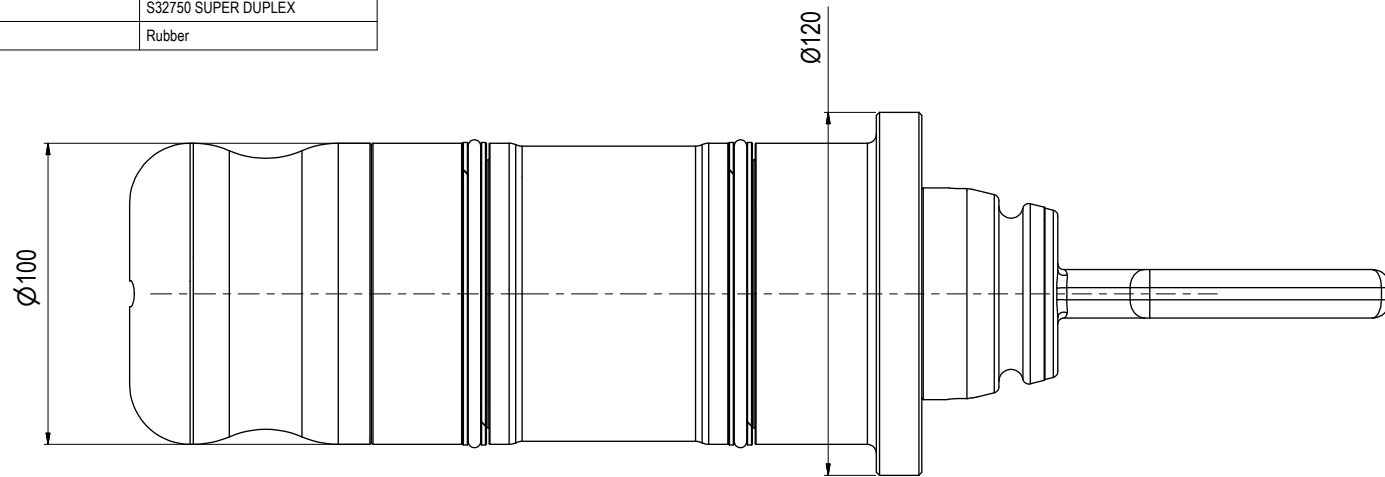


Parts List					
ITEM	QTY	PART No.	DESCRIPTION	MATERIAL	
1	1	PA0050	Flex Element Nitril 85/90 sh	Rubber	
2	1	PA0049	D-Handle SD	UNS J93404 Casted Super Duplex	
3	1	BB7401	Ø100 SP Press VStab Body	S32750 SUPER DUPLEX	
4	1	BA2318	Guide Nose Ø100	PEHD 1000	
5	1	BA1581	Lock Bolt For Flex Handle SD.	S32750 SUPER DUPLEX	
6	2	103720	Ø100 Stab Seal RU15-PEEK	Rubber	



NOTE: 1
 DESIGN CODE:
 Testing: API 6A

NOTE: 2
 TECHNICAL CLASSIFICATION:
 Article Type: 003-Valve Stabs
 Main Group: 3.05. Ø100-Valvestab
 Intermediate Group: 3.35.04. Pressure
 Sub Group: 3.35.235.1. Single

NOTE: 3
 INTERFACE INFORMATION:
 Pressure Rating Bar: 517
 Design Water Depth: 3000m
 Material: Long-term
 Weight in Air: 11,1 kg
 Volume: 1,8 dm³
 Submerged Weight: 9,26 kg
 Surface Area: 2645 cm²
 Hydraulic: N/A
 Mechanical: N/A
 Electrical: N/A
 Com. & Protocol: N/A

Rev.	Date	Reason for issue	Revision change	Made	Chk'd	Appr.
03	13.6.2024	9-IFU (Issued for Use)		HNJ	TAN	HNJ
02	23.8.2022	7-IFC (Issued for Construction)		WTJ	TAN	LGH
01	16.12.2021	2-IFT (Issued for Tender)		WTJ	NA	NA



Dwg Scale:	NTS
Dwg Proj:	
Dwg Format:	A3

Drawing title:	Ø100 SP Press VStab Long-term 7,5K	
Drawing number:	BB7400	Rev: 03